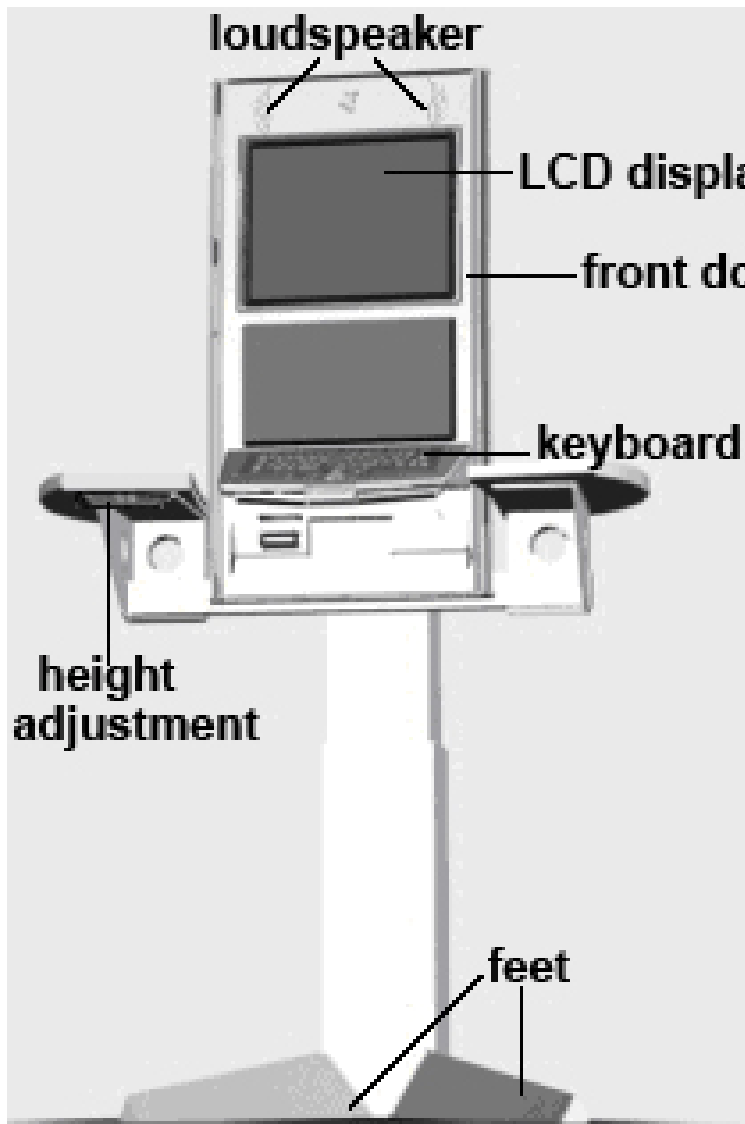




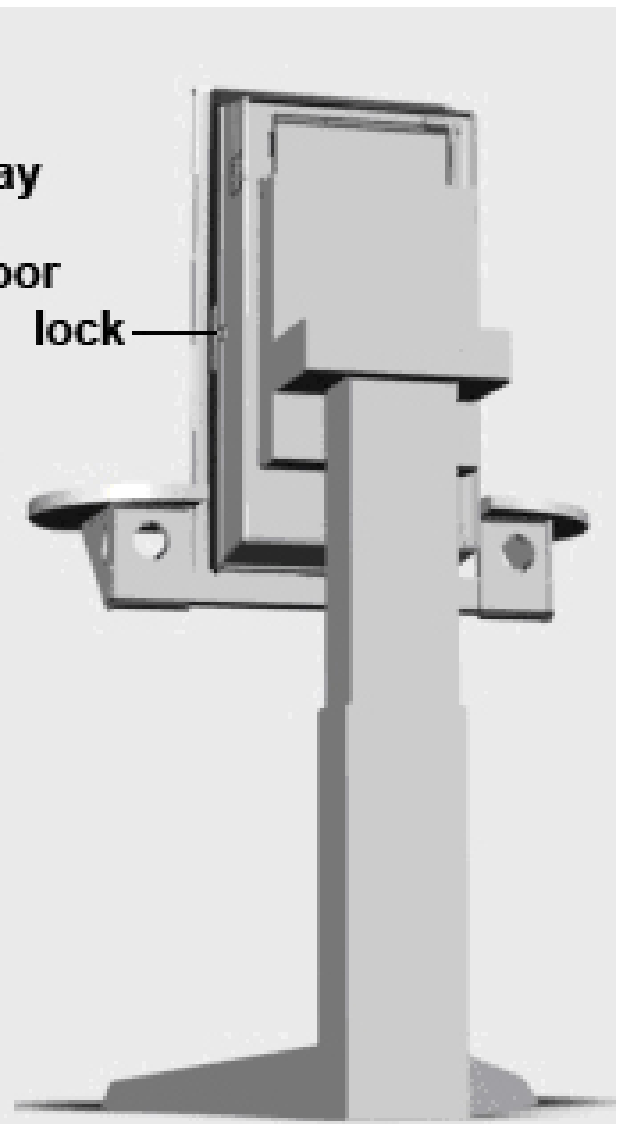
friendlyway butler
Operation Manual



FRONT VIEW



REAR VIEW



contents

1. Introduction.....	4
1.1. Description of the product	4
1.2. On the structure and content of this manual	4
2. Important information	5
2.1. Warnings, safety measures and ergonomics.....	5
2.2. Information on care and upkeep	6
2.3. Transportation.....	6
3. Mounting and requirements for the surrounding area	7
3.1. Requirements for the surrounding area	7
3.2. Mounting.....	7
4. Connecting the unit and placing it in service	8
4.1. Connecting terminal to the power supply	8
4.2. Connecting to the network and ISDN / modem.....	8
4.3. Placing the PC in operation	8
4.4. Height adjustment of the terminal.....	8
5. Display settings	9
5.1. OSD control buttons and their functions	9
5.2. OSD Structure:	11
5.3. Window Structure:	12
5.4. Detailed description of the On-Screen-Menu	12
6. Access to the PC	14
7. Variants and accessories.....	15
8. Troubleshooting	15
9. Technical specifications	16
10. Warranty	18
11. Declaration of conformity	20

1. Introduction

1.1. Description of the product

The friendlyway butler is an interactive communication terminal for use in enclosed areas. Along with a basic model many variants for special application purposes are available, as well as comprehensive accessories. Please read this manual carefully before placing your terminal in service to avoid improper operation. Be especially sure to read chapter "Warnings, safety measures and ergonomics". This will help you to prevent possible damage to the unit and injury to persons due to improper handling.

Subject to technical changes.

1.2. On the structure and content of this manual

The subject-matter of this manual is the friendlyway butler in its basic model equipped with a multimedia PC and LCD display. If you need some information to special facilities of separate device variants or to other accessories, please refer to respective documentation. This document describes how to set up and start up your terminal, what settings are available on the monitor, and how to conduct routine maintenance. Chapter "Access to the PC" is meant for computer specialists or at least experienced users, who want to level the new software or to upgrade a PC. For operation and maintenance of the butler van terminal no specific knowledge (computing, electronics, etc) is required. Otherwise, it is explicitly indicated in the manual.



Danger of electric shock. Before you disassemble the PC, turn the terminal off and pull the power cord.

Warning
intended to prevent injury to persons or damage to property



Service and upgrade tasks on the PC may only be performed by trained, professional staff members

Useful information



Connect the device to the power supply with the power connection cord (included with delivery). The device is ready for operation.

Individual instruction

1. Open the lock with the enclosed key.
2. Open the front door.
3. Press the Start button on the PC. The system is preinstalled and the device is started with the ordered accessory units.

Step-by-step instructions

2. Important information

2.1. Warnings, safety measures and ergonomics



When setting up the unit and before placing it in service, please make note of the information in chapter "Mounting and requirements for the surrounding area".

- Transport the unit only in its original packaging or in a suitable packaging that ensures it is protected against bumps and impact.
- If the unit is brought from a cold environment into the room where it will be operated, condensation may occur. Wait until the unit has reached the temperature of the room and is completely dry before putting it in operation.
- Make sure that the local power supply does not exceed or fall short of the nominal voltage range. Check the adjusted nominal voltage of the unit (see "Connecting terminal to the power supply" and see the identification plate).
- A safety-tested power line in compliance with the requirements of the country where it is being used is required for this device. The device can only be connected to a grounded protected contact socket.
- Make sure that the socket of the device or the protected contact socket of the facility installation is freely accessible.
- Lay the lines so that they do not create any hazards (danger of tripping) and so that they cannot be damaged. Read chapter "Connecting the unit and placing it in service" of these operating instruction on connecting the device.
- Repairs on the device may only be performed by authorized specialists. Unauthorized opening or improper repairs may result in considerable hazard for the user (electric shock, danger of fire).
- Proper operation of the device, (as per IEC 950/EN60950) is only ensured if the housing is fully assembled and the rear side covers for installation locations are in place (electric shock, cooling, fire protection, radio interference)
- Before opening the device, the device must be disconnected from the power supply by removing the power plug. Follow the instructions and information in these operating instructions if you open the device.
- Install only system add-ons that comply with the requirements and specifications for safety, electro-magnetic compatibility and telecommunications terminal device equipment. Installing other add-ons may violate these requirements and specifications or may damage the system. You can obtain information about which system add-ons are permissible for installation from your sales center or from our service department.
- If you install or replace system add-ons that cause defects to the device, the warranty is voided.
- The weight of the device is ca. 60 kg, depending on the configuration.
- To obtain sufficient stability it is required that the terminal is screwed to the floor with mounting bolts on special openings in the bottom plate.
- If the unit keeps displaying the same pattern for a long period of time the image may be „stuck“ to the screen. To avoid image sticking it is recommended to use alternating or animated images or a screensaver. Please see also the display manufacturer's directions.
- Keep this information on hand along with all of the documentation together with the unit. If you transfer the unit to a third party, please transfer all of the documentation along with it.
- Data lines to peripheral devices must be equipped with adequate shielding.
- If your device is equipped with a DVD-ROM drive, the following applies:
The DVD-ROM drive contains a light-emitting diode (LED), classification in accordance with IEC 825-1:1993:LASER CLASS 1.
- You will find additional safety information in the respective manuals for PC and other accessories or installation devices (if ordered in addition).

2.2. Information on care and upkeep

Housing

- ALUMINIUM VERSION: Do not clean with sharp objects, for example, metal sponge or similar cleaning objects! Clean only with a damp cloth and gentle cleaning agents. Do not directly spray cleanser onto the unit.

Be careful with such optional devices as loudspeaker, camera and card reader.

Screen

- Clean with standard window cleansers. To prevent exposure to moisture, do not directly spray cleanser onto the device. Instead of this, wipe off the screen with a moist cloth.

Keyboard

- Protect from dirt.

2.3. Transportation

Transport your friendlyway butler in the original package only or in one of the optionally available shipping crates.

3. Mounting and requirements for the surrounding area

3.1. Requirements for the surrounding area

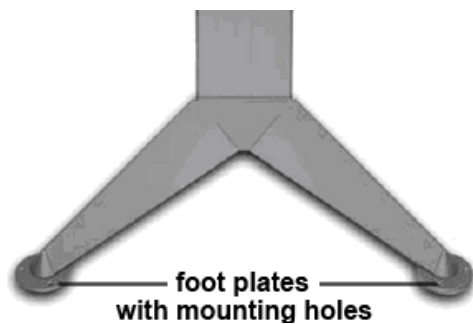
Your friendlyway butler was specially developed for use in enclosed areas and has specific requirements for the surrounding area:

- Permissible ambient temperature: 15 - 30°C
- No sources of warmth or heat (direct sunlight, heater) in the immediate vicinity, no direct effects of heat.
- No high relative humidity



The machine must only be operated under the environmental conditions listed above. Please take this into consideration when selecting a place to set up the device.

3.2. Mounting



To prevent the terminal breakdown due to external impact (counterpressure, vandalism, etc.), the terminal must be screwed to the floor. In each foot plate there are two openings for mounting bolts.

To mount the terminal to the floor:

1. Make the corresponding drill holes in the floor.
2. Install the terminal on the desired place.
3. Screw the bottom plates to the floor.

4. Connecting the unit and placing it in service

4.1. Connecting terminal to the power supply



You should only operate the device from a grounded alternating current socket for a 220-240 V / 50 Hz power supply



Connection:

Connect the device to the power supply with the power connection cord. The device is ready for operation.

4.2. Connecting to the network and ISDN / modem

The network and ISDN / modem connection requires a trained staff that is also capable of making the required communication settings.

4.3. Placing the PC in operation

1. Open the lock with the enclosed key.
2. Open the front door.
3. Press the Start button on the PC. The system is preinstalled and the device is started with the ordered accessory units.
4. Close the terminal.

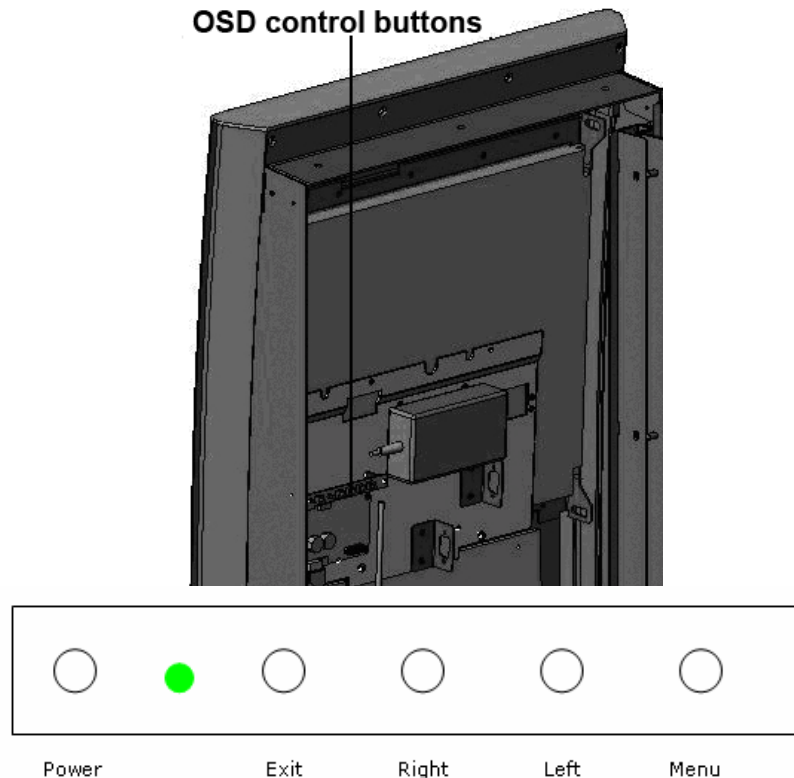
4.4. Height adjustment of the terminal

The friendlyway butler provides the possibility to adjust it by height. It can be done with the control buttons. The total height can vary from 148 cm to 198 cm.



5. Display settings

The terminals are preconfigured so that there is no need to set up anything under the normal conditions. If you want to change some display settings, enter the On-Screen-Display (OSD) that is called and controlled with buttons on the cover.



With the OSD control buttons you can easily reach any functions that must be set up. Before using the OSD control elements please make sure that your system is turned on.



To avoid image sticking effects, a screensaver or an image that moves across the whole display must be obligatory displayed!

To reach optimal quality and position of the picture, autoconfiguration should be performed.

To ease the setup on the OSD menu, the timeout parameter can be set to maximum.

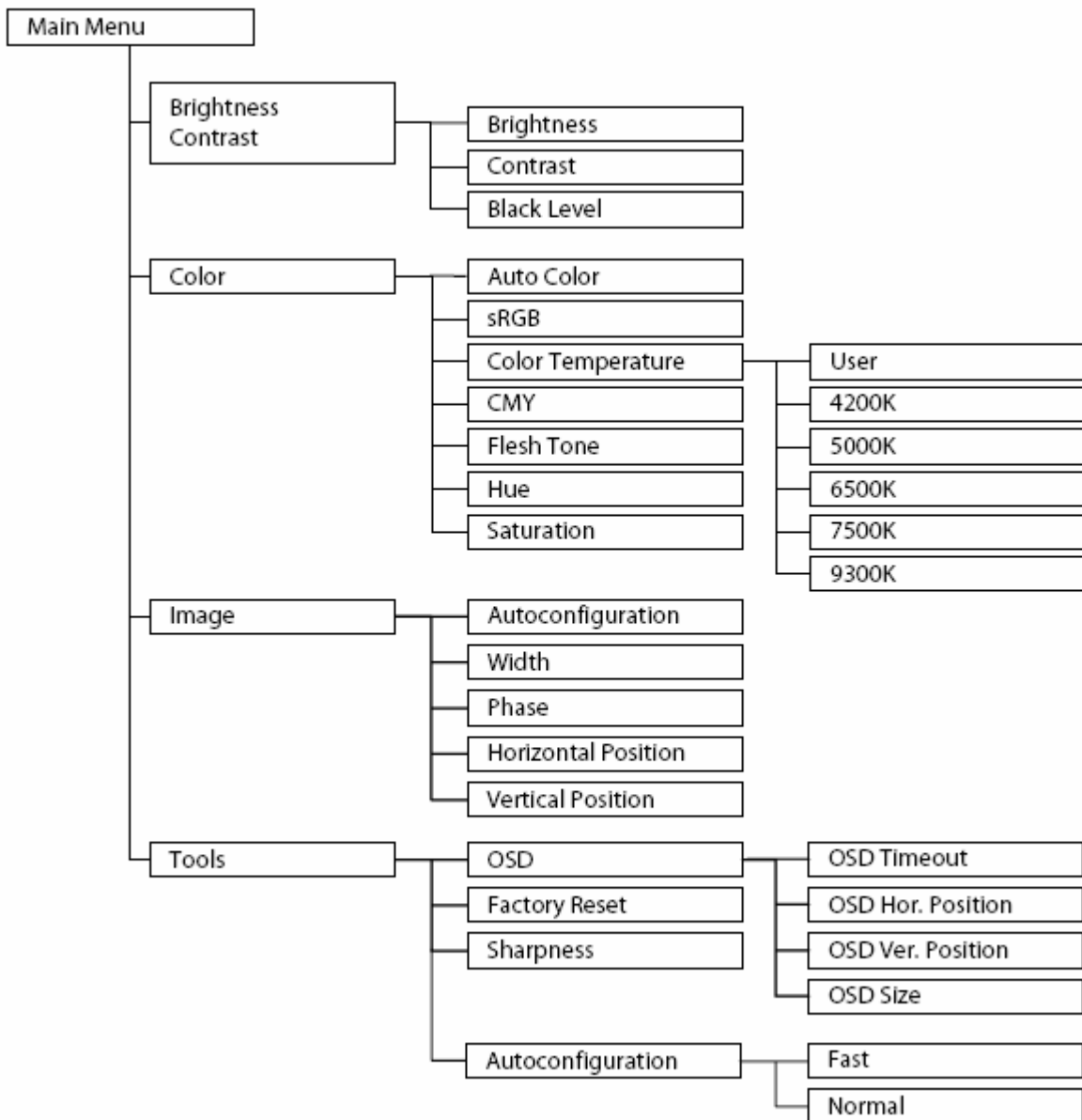
5.1. OSD control buttons and their functions

Key	Function
POWER	- to turn the display on/off
MENU	- to open the main menu - confirmation button for the selected menu items - back to submenu
EXIT	- to switch to the Exit icon when the OSD main menu or a submenu is displayed. The Exit icon should be confirmed with the Menu button. - to leave the OSD menu
LEFT	- to activate the brightness menu - to minimize the settings bar - to select the left menu item
RIGHT	- to activate the contrast menu - to increase the settings bar - to select the right menu item

Working with the menu system

1. With the OSD off, push the **Menu** button to activate the main OSD menu.
2. Use the **Left** and **Right** buttons to move through the main menu. To select a desired submenu, press the **Menu** button after your selection. The selection tabs are also highlighted and explained via onscreen text in the upper right of the OSD screen.
3. After selecting a submenu, use the **Left** or **Right** buttons to move through the submenu. To select a setting icon, press the **Menu** button after your selection. The selection tabs are also highlighted and explained via onscreen text in the upper right of the OSD screen.
4. There are two types of icons: Some have a single function and must be confirmed with the **Menu** button, the other option are setting bars. Once a setting bar appears, it can be increased or decreased via the **Left** and **Right** buttons. The setting bar moves and the numeric value indicator changes to reflect your adjustments.
5. There are several ways to close the OSD menu:
 - Waiting some seconds (timeout).
This time can be adjusted as needed in one of the menus.
 - In the main menu or in submenu, press the **Exit** button. This highlights the Exit icon in the menu. Then press the **Menu** button to leave the OSD menu.
 - After an Autoadjust and confirmation the OSD menu closes automatically.
 - After adjusting a setting, press the **Menu** button to go back to the submenu, then press the **Exit** button or use the **Right** button to select the Exit icon, then confirm the selection with the **Menu** button.

5.2. OSD Structure:



5.3. Window Structure:



5.4. Detailed description of the On-Screen-Menu

Adjusted menu items will be saved if:

- the OSD is closed by selecting and confirming the Exit Menu icon
- the sleep mode is toggled with the **Power** Key
- the green smiley is selected after Autoconfiguration in Color or Image menu
- the color value is reset to sRGB default

BRIGHTNESS-CONTRAST

Brightness: Adjusts the display brightness. If supported, brightness will be regulated using the connected inverter.

Contrast: Adjusts the image contrast.

Black Level: Adjusts the black level of the image.



COLOR

Autoconfiguration: performs a calibration of the ADC for optimum colors. For best result, black and white level should be present in the image.

sRGB: Return to default sRGB color values (also activates sRGB color space).

Color Temperature: Allows you to choose different values for the color temperature including a user defined setting in RGB color space.

CMY: Modify the proportion of cyan, magenta and yellow in the image (also activates CMY color space).

Flesh Tone: Adjusts the flesh tone of the image (requires sRGB color space).

Hue: Adjusts the hue of the image (requires sRGB color space).

Saturation: Adjusts the saturation of the image (requires sRGB color space).



IMAGE

Autoconfiguration: optimizes the displayed image.

Adjusts phase and image position automatically.

Width: Adjusts image width.

Phase: Adjusts image phase.

Horizontal position: Adjusts the horizontal position of the image.

Vertical position: Adjusts the vertical position of the image.



TOOLS & OSD

- OSD

- **OSD Timeout:** The OSD vanishes after a certain time of inactivity. Values of 2-16s are possible (16s is recommended).
- **OSD Horizontal Position:** Adjusts position horizontally.
- **OSD Vertical Position:** Adjusts position vertically.
- **OSD Size:** Doubles the size of OSD (only valid if display resolution is 2 times larger than the OSD size)

- **Factory reset:** Return to factory default values

- **Sharpness:** Modifies the image filtering with shrinking and expansion

- **Autoadjustment type:**

- **Fast:** Quick autoadjustment method (coarse adjust for fast resolution switching, like during bootup).
- **Normal:** Standard autoadjustment method (fine adjustment once the system is displayed properly)



6. Access to the PC

The PC is located behind the front door of the terminal. Open the front door to get access to the drives and Start and Reset buttons (after loosening the top tension belt).

For equipping with extension cards, drives or additional memory the PC should be disassembled, at which the PC cap must be removed.



Service and upgrade tasks on the PC may only be performed by trained, professional staff members

Disassemble the PC



Danger of electric shock. Before you disassemble the PC, turn the terminal off and pull the power cord.



Instruction on disassembling of the PC:

1. Open the lock with the key.
2. Open the front door.
3. Extract the connection cable.
4. Loosen the tension belt.
5. Remove the PC from the terminal.



When reassembling the PC, please make sure that the tension belt does not slip and the front door is closed.

7. Variants and accessories

Your friendlyway butler terminal is offered as a basic model and in several variants. These variants differ in basic configuration of hardware and software aimed at specific application purpose. Additionally you can obtain extra accessories and combine within the constructional possibilities. Configuration of the device is performed at the factory after the order, and no later terminal upgrade can be performed as a rule. If you have questions regarding the operation and maintenance of optional devices as well as special accessories, please refer to the respective manuals. You can acquire it in the attached list of Variants and accessories.

8. Troubleshooting

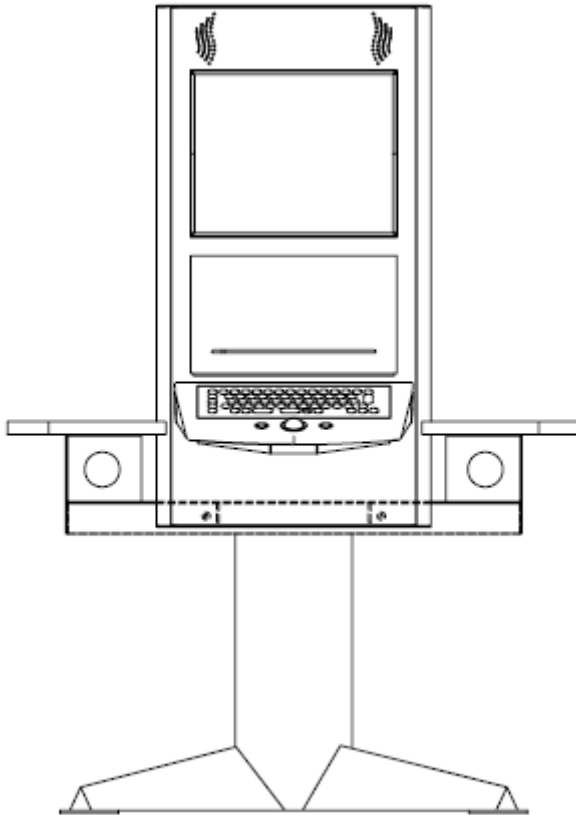
An up-to-date and comprehensive database of potential problems and their solutions can be found at our home page at the following website: www.customers.friendlyway.com.

Certain hints on troubleshooting and problem solving are also available in the corresponding manuals for components and accessories.

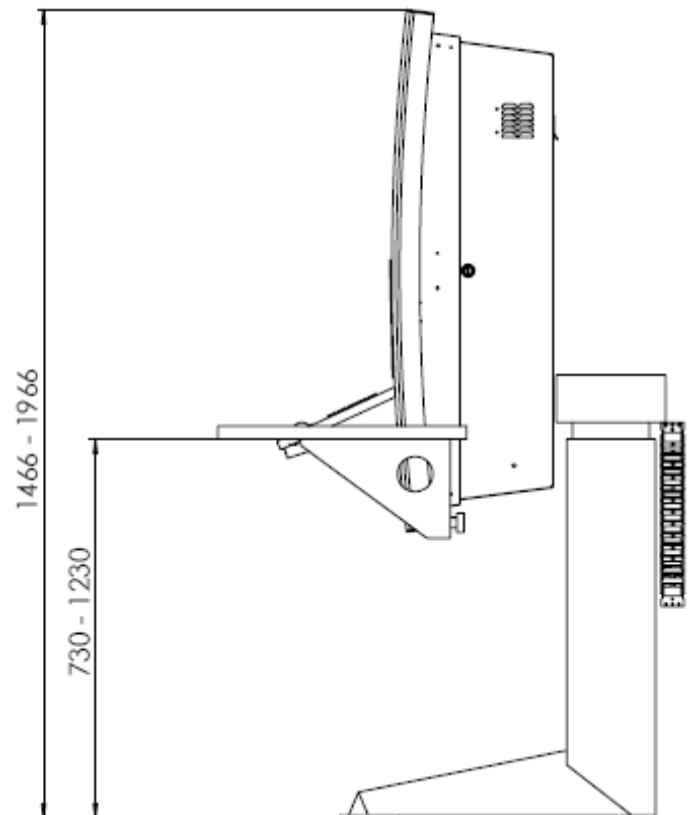
9. Technical specifications

Dimensions:	1980/1480 x 47 x 30 mm (H x W x D)
Weight:	60 kg, depending on the configuration
Housing:	Anodized aluminum
Ambient temperature:	permissible in the range 15 °C - 30 °C
Standard equipment:	17" LCD display, 2 built-in loudspeakers PC Fujitsu Siemens Esprimo C (Pentium 4 3,2 GHz, 512 MB RAM, 160 GB hard drive, DVD-ROM, serial port, USB, Ethernet port, Windows XP Professional)

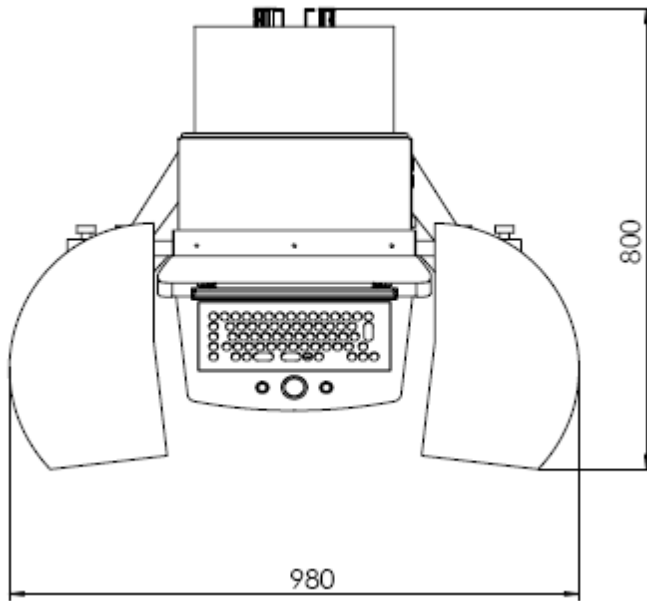
FRONT VIEW



SIDE VIEW



TOP VIEW



Subject to technical changes, enhancements and errors. The weight and dimensions given are approximate values.

10. Warranty

We offer a guarantee on all systems for a period of 12 months. During this time, *friendlyway* customer support is available to you daily from 9 a.m. till 5 p.m. We will be happy to assist you with any questions and problems.

You can reach us on our hotline at 1-800 374 36 35 (only in Germany) or at +49 (0) 89 / 95 97 91-500 or by e-mail at support@friendlyway.com.

We offer telephone support for troubleshooting and error correction. Repairs take place in our facility. If you require on-site assistance, travel costs will be billed according to the distance involved.

11. Declaration of conformity

CE

Declaration regarding conformity

This declaration applies to the products designated below:

Product: Terminal

Device type: Multimedia, representational Internet terminal

Model: butler

This is to confirm that the products comply with the essential protection requirements stipulated in the regulations of the Council for adjustment of legal requirements of member states regarding electro-magnetic compatibility (89/336/EEC) as modified by 91/263/EEC, 92/31/EEC, 93/68/EEC as well as 93/97/EEC and the low voltage regulation 73/23/EEC as modified by 93/68/EEC.

This declaration is submitted by

**friendlyway AG
Feringastr. 9
85774 München-Unterföhring**

The relevant tests were performed at accredited testing laboratories.

The following standards were used to evaluate the products in terms of electro-magnetic compatibility and in terms of the low-voltage regulation.

EN 55 022: April 1998

EN 50 082-2: February 1996

(EN 61000-4-2:1995 +A1:1998 / EN 61000-4-3:1996 +A1:1998 / ENV 50204:1995 /

EN 61000-4-4:1995 / EN 61000-4-5:1995 / EN 61000-4-6:1996 / EN 61000-4-11:1994)

EN 60950:1992 / +A1:1993 / +A2:1993 / +A3:1995 / +A4:1997 / +A11:1997

Munich, 21 August 2000

Legally binding signature
of the distributor

▶ **Feringastr. 9**
D-85774 München-Unterföhring
Tel.: +49 (0) 89 95 97 91 340
Fax: +49 (0) 89 95 97 91 40
e-mail: info@friendlyway.com
<http://www.friendlyway.com>

▶ **Service Hotline**
Tel.: 0800 / 374 36 35
Tel.: +49 (0)89 / 95 97 91 500
e-mail: support@friendlyway.com

